

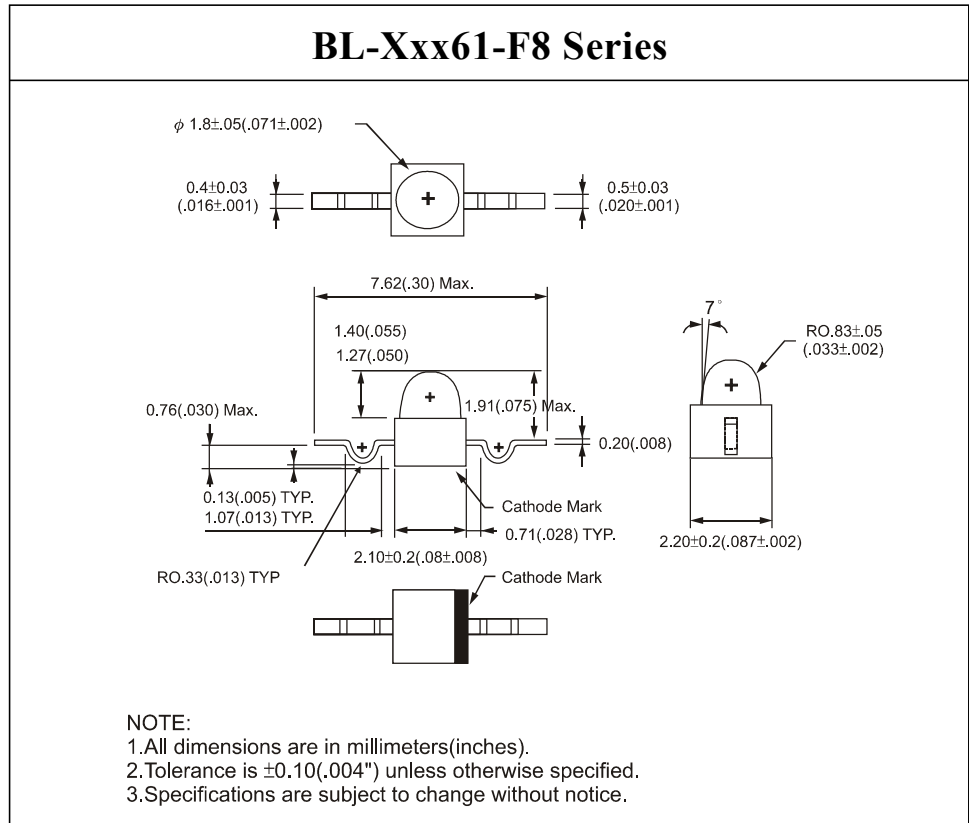


# AXIAL LED LAMPS WITH "YOKE" LEAD



### Absolute Maximum Ratings (Ta=25°C)

	UNIT	SPEC.
IF	mA	30
IFp	mA	100
VR	V	5
Topr	°C	-25 ~ +80
Tstg	°C	-30 ~ +85



Part No.	Chip				Lens Appearance	Electro-optical Data (At 20mA)				Viewing Angle 2 θ 1/2 (deg)
	Material	Emitted Color	p (nm)	d (nm)		Vf (V)		Iv (mcd)		
						Typ.	Max.	Min.	Typ.	
BL-XE1361-F8	GaAsP/GaP	Hi-Eff Red	640	628	Water Clear	2.0	2.6	18.5	40.0	35°
BL-XS1361-F8	GaAlAs/GaAs	Super Red	660	643		1.7	2.6	28.0	60.0	
BL-XD0316-F8	GaAlAs/GaAs	Super Red	660	643		1.8	2.6	28.0	75.0	
BL-XF0361-F8	GaAlAs	Super Red	660	643		2.1	2.6	42.0	100.0	
BL-XUB361-F8	AlGaInP	Super Red	645	632		2.1	2.6	42.0	100.0	
BL-XJB361-F8	AlGaInP	Super Orange Red	620	615		2.0	2.6	63.0	150.0	
BL-XJD361-F8	AlGaInP	Super Orange Red	630	625		2.1	2.6	63.0	150.0	
BL-XG0361-F8	GaP/GaP	Yellow Green	568	571		2.1	2.6	18.5	45.0	
BL-XX1361-F8	GaP/GaP	Hi-Eff Green	568	570		2.2	2.6	28.0	55.0	
BL-XW1361-F8	GaP/GaP	Pure Green	557	563		2.2	2.6	5.5	15.0	
BL-XGE361-F8	AlGaInP	Super Yellow Green	570	570		2.0	2.6	42.0	80.0	
BL-XG4361-F8	InGaN	Bluish Green	505	505		3.5	4.0	94.0	250.0	
BL-XG6361-F8	InGaN	Green	525	525		3.5	4.0	94.0	300.0	
BL-XY0361-F8	GaAsP/GaP	Yellow	583	585		2.1	2.6	12.3	30.0	
BL-XKB361-F8	AlGaInP	Super Yellow	590	587		2.1	2.6	94.0	200.0	
BL-XKD361-F8	AlGaInP	Super Yellow	595	594		2.1	2.6	94.0	200.0	
BL-XA1361-F8	GaAsP/GaP	Amber	610	610		2.2	2.6	5.5	15.0	
BL-XJF361-F8	AlGaInP	Super Amber	610	605		2.0	2.6	63.0	150.0	

Part No.	Chip				Lens Appearance	Electro-optical Data (At 5mA)				Viewing Angle 2 θ 1/2 (deg)
	Material	Emitted Color	p (nm)	d (nm)		Vf (V)		Iv (mcd)		
						Typ.	Max.	Min.	Typ.	
BL-XB3361-F8	AllnGaN	Super Blue	460	465-470	Water Clear	2.8	3.2	28.0	60.0	35°
BL-XB5361-F8	AllnGaN	Super Blue	470	470-475		2.8	3.2	28.0	70.0	